










Model Machine

MACREA002

RHEA BL GRANDE E5R2

Web	Pos.	Item	Replace by	Description
		<i>Press - CTRL + CLICK go to item in a new window</i> <i>Нажмите - Ctrl + правая кнопка мыши что бы открыть запчасть в новом окне</i>		
	1/b	VIT0000106		SCREW COUNT FLAT HEAD M4X8
	1/a	Z0010024183NA		SIDE COVER SX-DX XS
	1	Z001A122100-04NA		CABINET BLACK
	2	Z0010024167NA		COFFEE SENS COVER PLATE BLACK
	3	VIT0002401		SCREW ST HEAD CAP M3.5X9.5
	4	Z0010024186NA		PRODUCTS SENSOR COVER BLACK
	5	Z0010027037		TRAP DRAWER
	6	Z0010027022		TRAP DRAWER REMOVABLE
	7	Z0010024111CL1		§ MACHINE FOOT D.50X29 RAL9005
	8	Z0090002113		MOTOR 24 DC 97 RPM
	9	Z0010020029NA		GEARBOX MOTOR PLUG BLACK
	10	Z0010024187NA		WIRING SUPPORT (BLACK)
	11	Z0020039036CL		§ DRIP TRAY+SPRING BLACK
	12	Z0020039035NA		DRIP TRAY GRID BLACK
	13	Z0010024154		GROUND CONTAINER
	14	Z0010024164-02		GROUND EJECTOR
	15	Z0010024165		GROUND EJECTOR PLATE
	16	VIT0002027		SCREW ST HEAD CAP M3.5X13
	17	Z0010024192NA		REAR PANEL (BLACK)
	18	Z001A128000NA-03		WASTE PADS CONTAINERLID
	19	Z0010024191NA		GRINDER MOTORIZED SUPPORT
	20	Z001A122121		DOOR HINGE
	100	Z0010024164R		§ GROUND EJECTOR POS.14+15+16

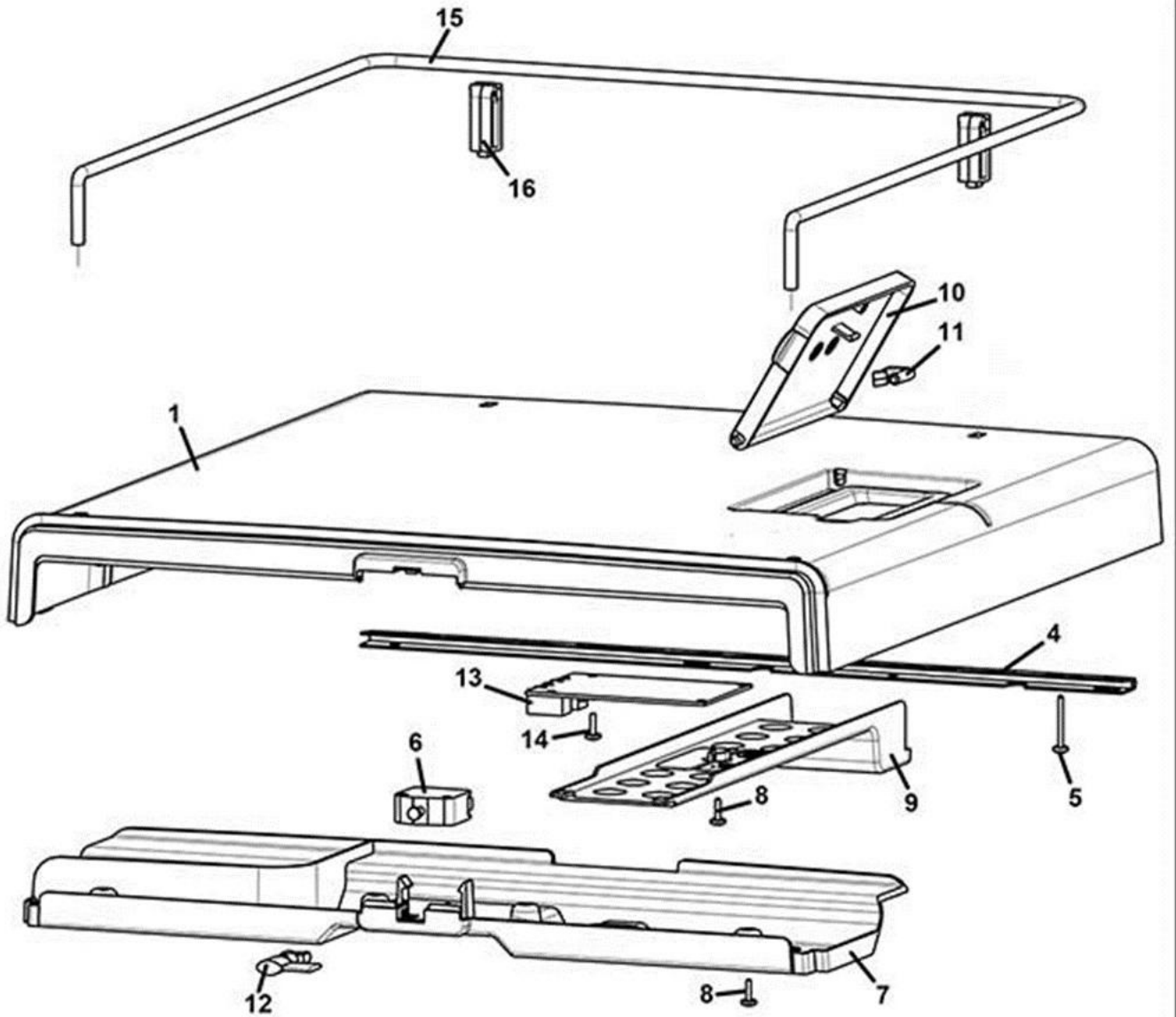
Model Machine

MACREA002

RHEA BL GRANDE E5R2

MACREA002.T.0002

TAVOLA NR. 2 - ARTICOLO RHEA BL GRANDE E5R2



Web	Pos.	Item	Replace by	Description
-----	------	------	------------	-------------

Model Machine

MACREA002

RHEA BL GRANDE E5R2



Press - CTRL + CLICK go to item in a new window

Нажмите - Ctrl + правая кнопка мыши что бы открыть запчасть в новом окне

	1	Z0010024116-03NA	UPPER COVER XS-08 RAL 9005
	4	Z0010024012	HINGE D.5,5 L.390
	5	VIT0002456	SCREW HEAD TAP M3.5X25
	6	ELE0002019	SWITCH 16A 250V
	7	Z0010024114NA	UPPER COVER CLOSING BLACK
	8	VIT0002469	SCREW HEAD TAP M3.5X10
	9	Z0010024119NA	CABLE COVER
	10	Z0010024118NA	INLET WATER LID XS08 RAL 9005
	11	Z0020037124NA	PIN
	12	Z0270011109IC	SERVICE KEY RAL2011
	13	SCH0006261	RFID CARD READER_1
	14	VIT0002452	SCREW HEAD TAP M3.5X12
	15	Z0010024124	GUARD RAIL 1 THREAD
	16	Z0010027272AG	RING SUPPORT TRASPARENT

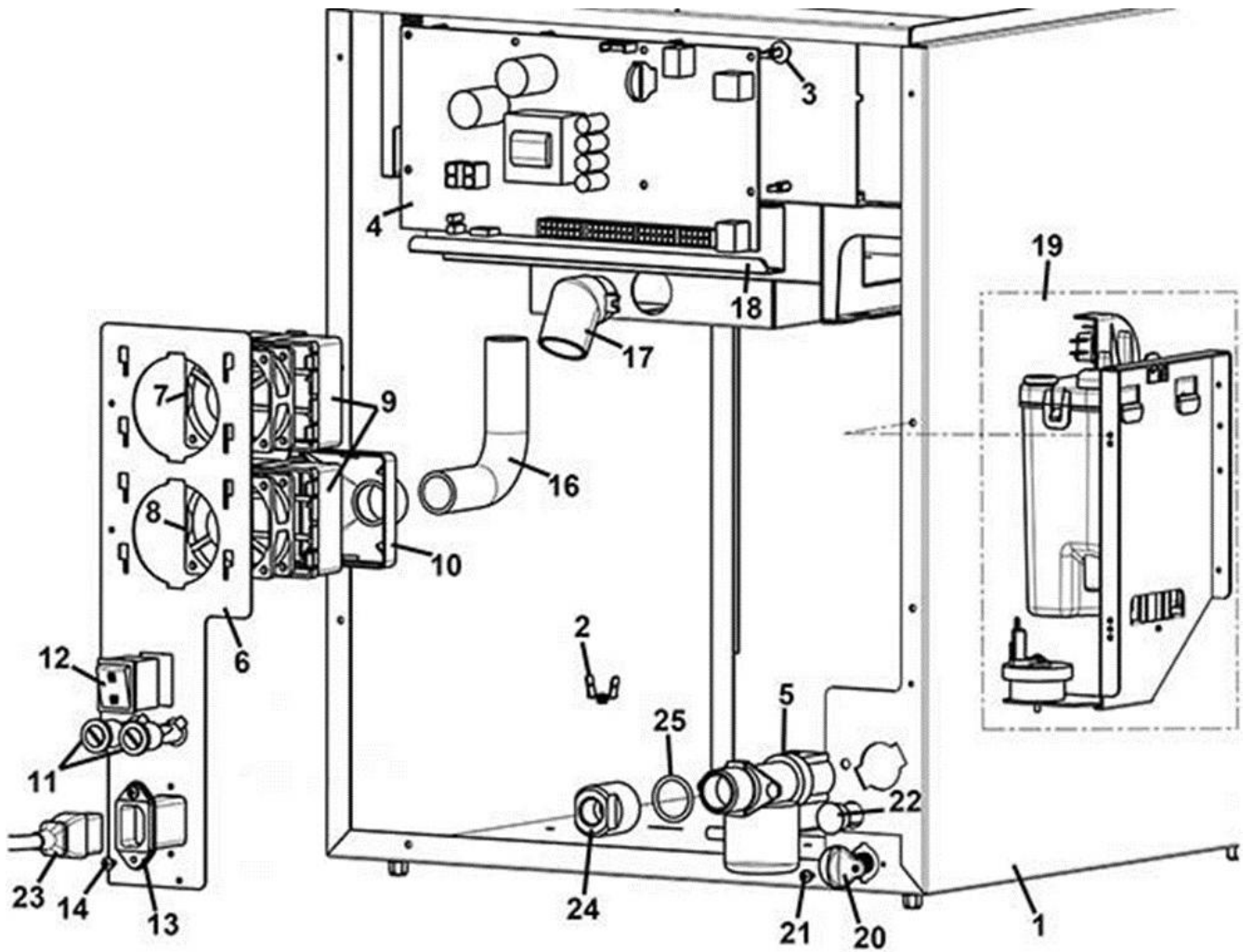
Model Machine

MACREA002

RHEA BL GRANDE E5R2

MACREA002.T.0003

TAVOLA NR. 3 - ARTICOLO RHEA BL GRANDE E5R2



Web	Pos.	Item	Replace by	Description
-----	------	------	------------	-------------

Model Machine

MACREA002

RHEA BL GRANDE E5R2



Press - CTRL + CLICK go to item in a new window

Нажмите - Ctrl + правая кнопка мыши что бы открыть запчасть в новом окне

	12/b	ELE0002014	BIPOLAR SWITCH 15A 250V FOR 120V VERSION
	12/a	ELE0002014CL3	BIPOLAR SWITCH 15A 250V
	13/b	ELE0002318	MAINS SOCKET 115/250V 20/16A FOR 120V VERSION
	13/a	ELE0002322	MAINS SOCKET 250V 10A
	11/a	ELE0003508CL	FUSE HOLDER+FUSE 12A
	11/b	ELE0003509CL2	FUSE HOLDER+FUSE 15A UL FOR 120V VERSION
	23/a	ELE0055008	SUPPLY CABLE+PLUG+SCHUK.SOCKET
	23/b	ELE0055019	SUPPLY CABLE+PLUG 15A+SOCKET FOR 120V VERSION
	4/a	SCH0008964-01	CPU/POWER BOARD
	4/b	SCH0008964CL	§CPU/PWR BOARD 100/120V FOR 100/120V VERSION
	6/a	Z0130013030NA	PLUG+FAN (BLACK)
	6/b	Z0130013034NA	PLUG+FAN 16A (BLACK) FOR 120V VERSION
	1	Z001A122100-04NA	CABINET BLACK
	2	ELE0060520	GROUND PIN
	3	ELE0062020	BOARD SUPPORT
	5	Z0110001058	WATER INLET VALVE 24V DC
	7	ELE0000462	FAN 24V DC-LOW SPEED
	8	ELE0000461	FAN 24V DC-HIGH SPEED
	9	Z0010027064	FAN SUPPORT
	10	Z0010027065	FAN CONNECTOR
	14	VIT0002010	SCREW ST HEAD CAP M3.5X9.5
	16	TEOL000001CL3	EXTRACTOR TUBE D.20 220MM
	17	Z0010027043NA	EXTRACTOR TUBE BLACK
	18	Z0010024161NA	WIRING SUPPORT (BLACK)
	19		SEE TABLE WATER INLET PANEL
	20	Z0600016455	H2O OUTLET PLUG
	21	VIT0002009	SCREW ST HEAD CAP M3.5X6.5
	22	GUA0011010	PLUG
	24	Z0100006001-01	F/F CYLINDRIC 3/4-3/8 REDUCT.
	25	GUA0000021	OR 130 NBR AL 75 BLACK

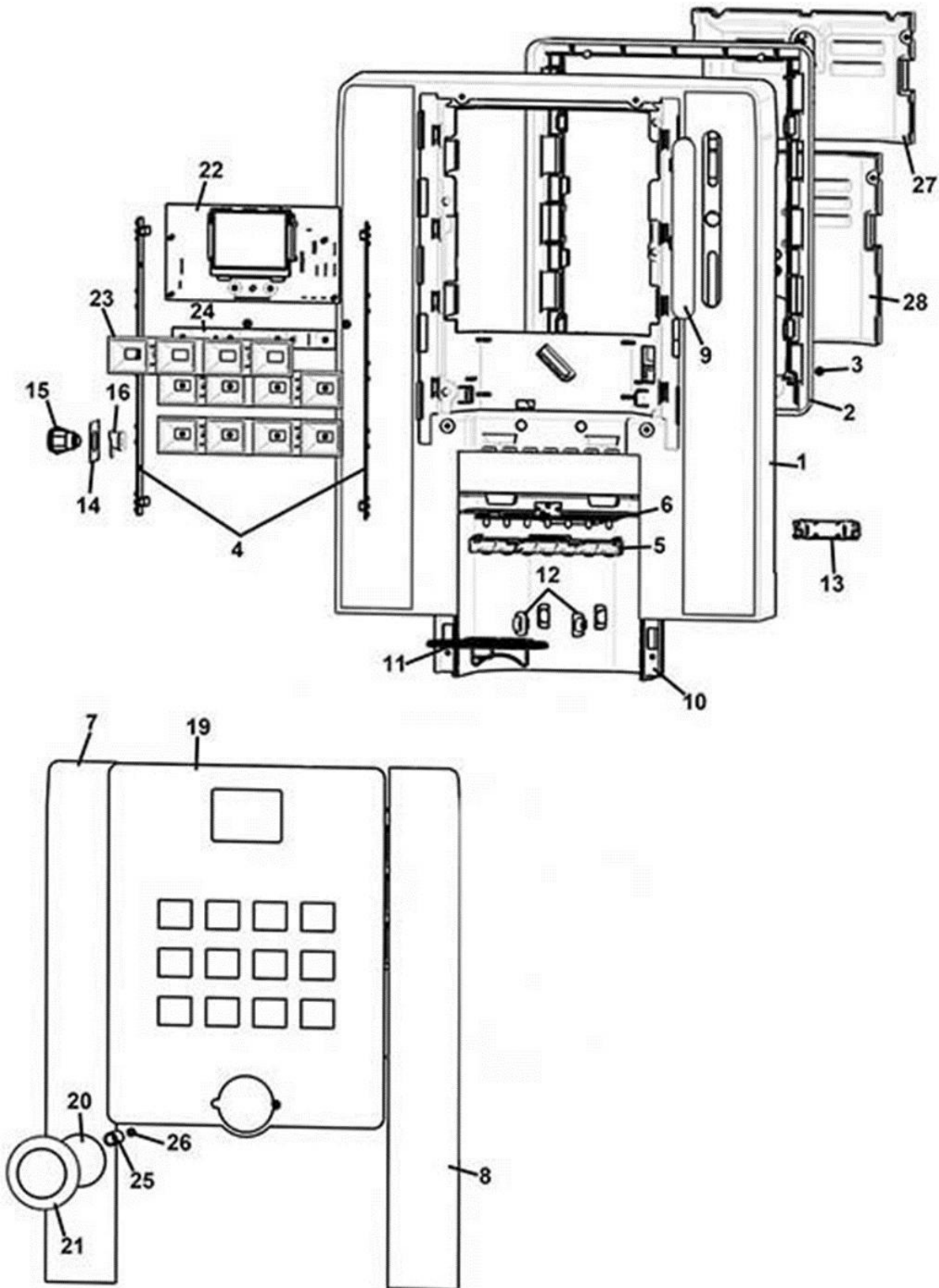
Model Machine

MACREA002

RHEA BL GRANDE E5R2

MACREA002.T.0004

TAVOLA NR. 4 - ARTICOLO RHEA BL GRANDE E5R2



Web	Pos.	Item	Replace by	Description
-----	------	------	------------	-------------

Model Machine

MACREA002

RHEA BL GRANDE E5R2



Press - CTRL + CLICK go to item in a new window

Нажмите - Ctrl + правая кнопка мыши что бы открыть запчасть в новом окне

	8/b	1030000074	SIDE PANEL RIGHT
	7/b	1030000075	SIDE PANEL LEFT
	7/a	Z0020039043	LEFT PANEL RAL9005
	8/a	Z0020039049	RIGHT PANEL W/O LOGO RAL9005
	1	Z0020039131NA	DOOR (RAL9005)
	2	Z0020039132NA	DOOR FRAME (BLACK)
	3	VIT0002466	SCREW HEAD TAP M3.5X16
	4	SCH0008120	LIGHTING BOARD
	5	Z0020039078TR	CUP STAT.ENLIGHTENMENT SUPPORT
	6	SCH0008144	LIGHTING CUP STATION BOARD
	9	Z0020039537NA	COIN ENTRY BLANK.PLATE
	10	Z0020039071NA	CUPS STATION FRAME BLACK
	11	Z0020039072NA-02	CUP SUPPORT BLACK
	12	Z0020039073NA	CUP SUPPORT PIN BLACK
	13	Z0020039087-03IC	CUP HOLDER BRACKET
	14	Z0020037014	LOCK PLATE
	15	SER0000024/1	LOCK INOX RVI MM20 C.3374
	16	Z0020037015	LOCK PLATE
	19	1030000160R	\$PLEX+CAP.KEYPD+BLACK PANEL
	20	1030000297	BL LOGO
	21	Z0020039084CL	§ DOOR LOGO FRAME CROMO
	22	SCH0009983-01	3,5" DISPLAY BOARD
	23	Z0020037675AB	LIGHT BUTTONS GUIDE
	24	SCH0010060	KEYPAD LIGHTING BOARD
	25	Z0020039137	SPACER
	26	VIT0002461	SCREW HEAD TAP M4.2X26
	27	Z0020039134IC	UPPER DOOR RAL2011
	28	Z0020039076-01NA	LOWER INTER. DOOR COVER BLACK

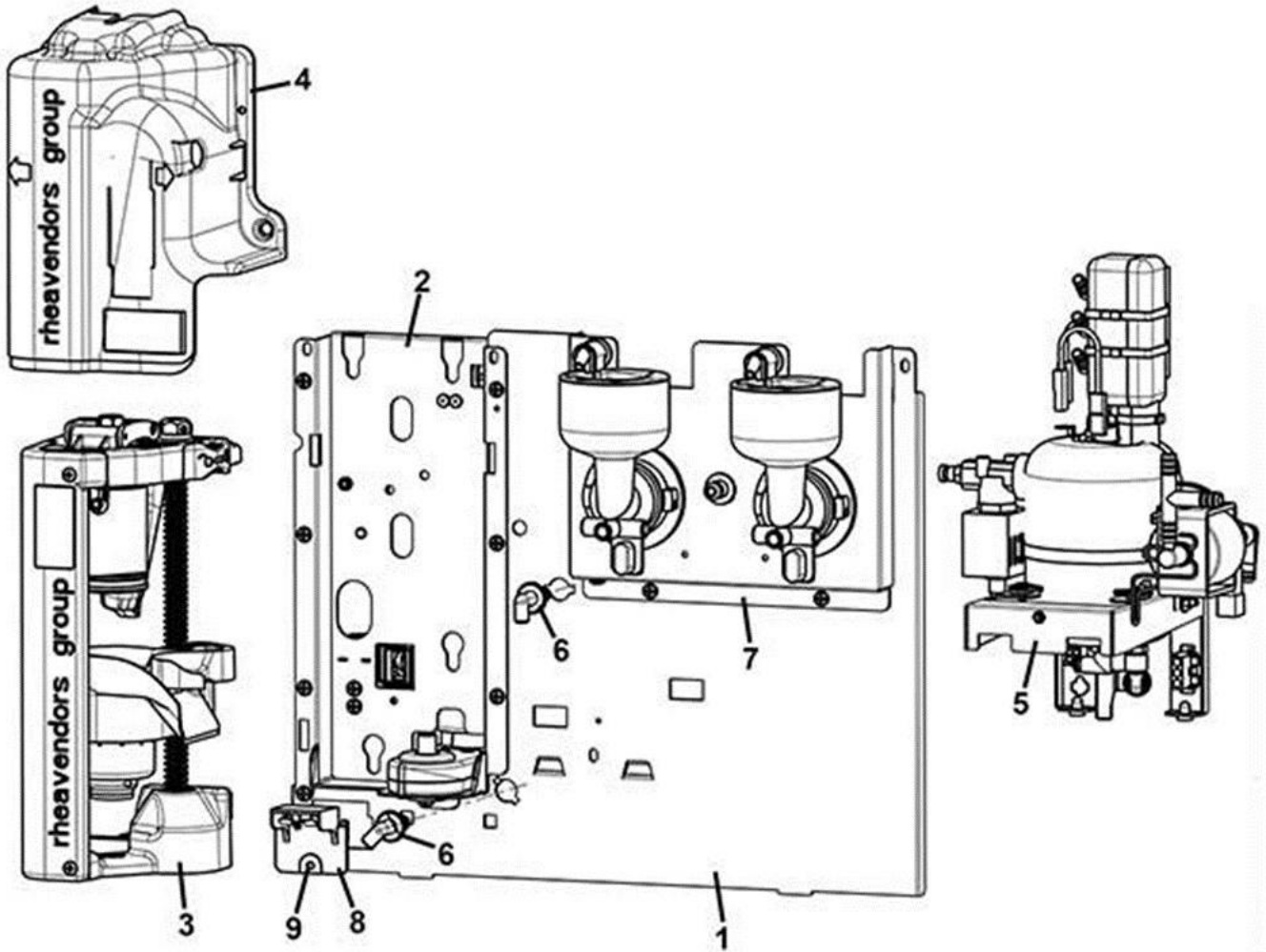
Model Machine

MACREA002

RHEA BL GRANDE E5R2

MACREA002.T.0005

TAVOLA NR. 5 - ARTICOLO RHEA BL GRANDE E5R2



Web	Pos.	Item	Replace by	Description
-----	------	------	------------	-------------

Model Machine

MACREA002

RHEA BL GRANDE E5R2



Press - CTRL + CLICK go to item in a new window

Нажмите - Ctrl + правая кнопка мыши что бы открыть запчасть в новом окне

	1	Z0260014031-04NA	VARIFLEX MOUNTING PLATE BLACK
	2		SEE TABLE PRO BREWER SUPPORT+MOTOR
	3		SEE TABLE PROFESSIONAL BREWER GROUP D.45
	4	Z0250014007CL1	§ VARIFLEX BREWER COVER-TT
	5		SEE TABLE ESPRESSO BOILER SUPPORT
	6	Z0080100084	90° CONNECTOR
	7		SEE TABLE 2 MIXERS SUPPORT ASSEMBLY
	8	Z0010020836CL	§DRIP TRAY SENSOR
	9	VIT0002009	SCREW ST HEAD CAP M3.5X6.5

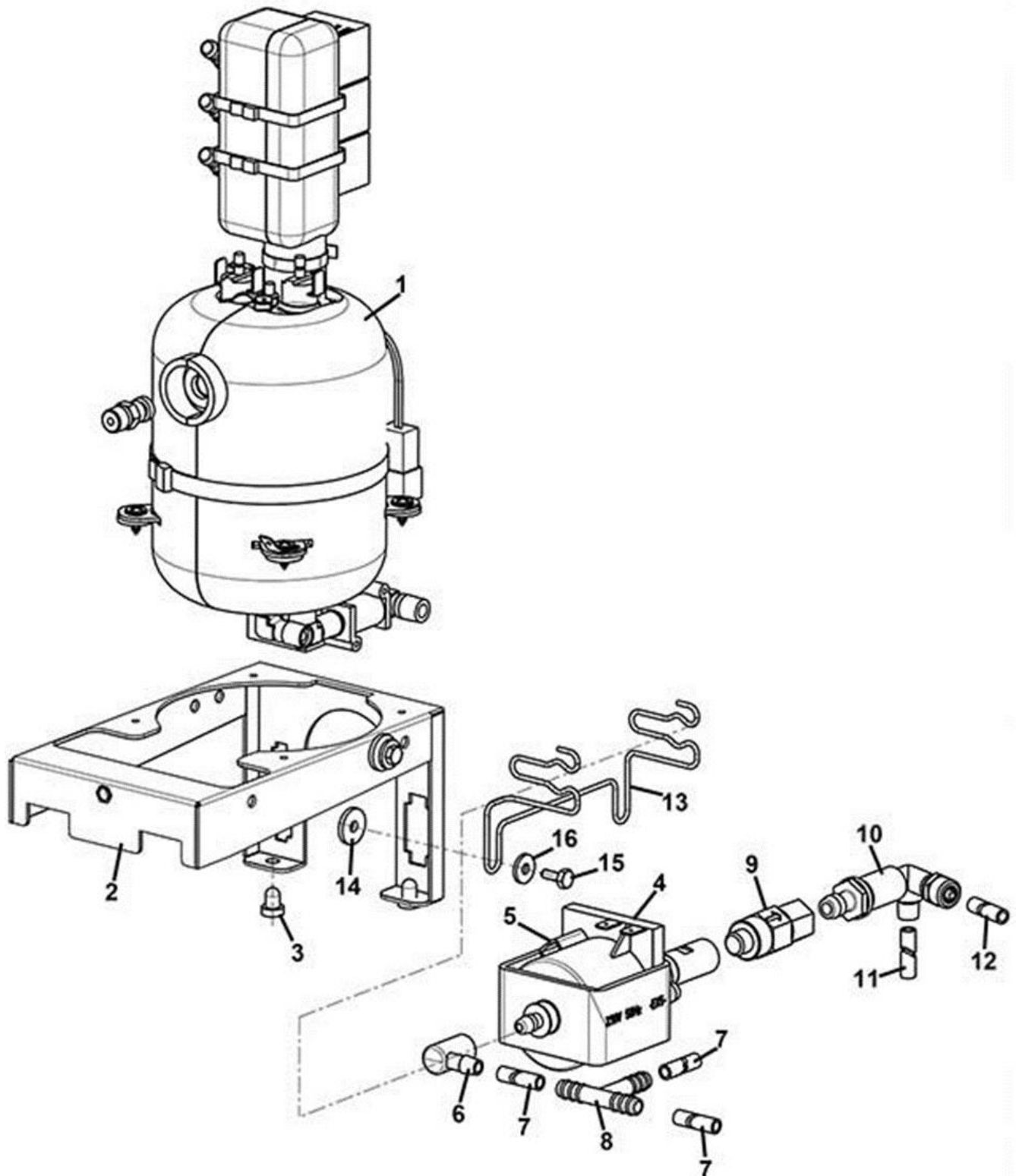
Model Machine

MACREA002

RHEA BL GRANDE E5R2

MACREA002.T.0006

TAVOLA NR. 6 - ARTICOLO RHEA BL GRANDE E5R2



Web	Pos.	Item	Replace by	Description
-----	------	------	------------	-------------

Model Machine

MACREA002

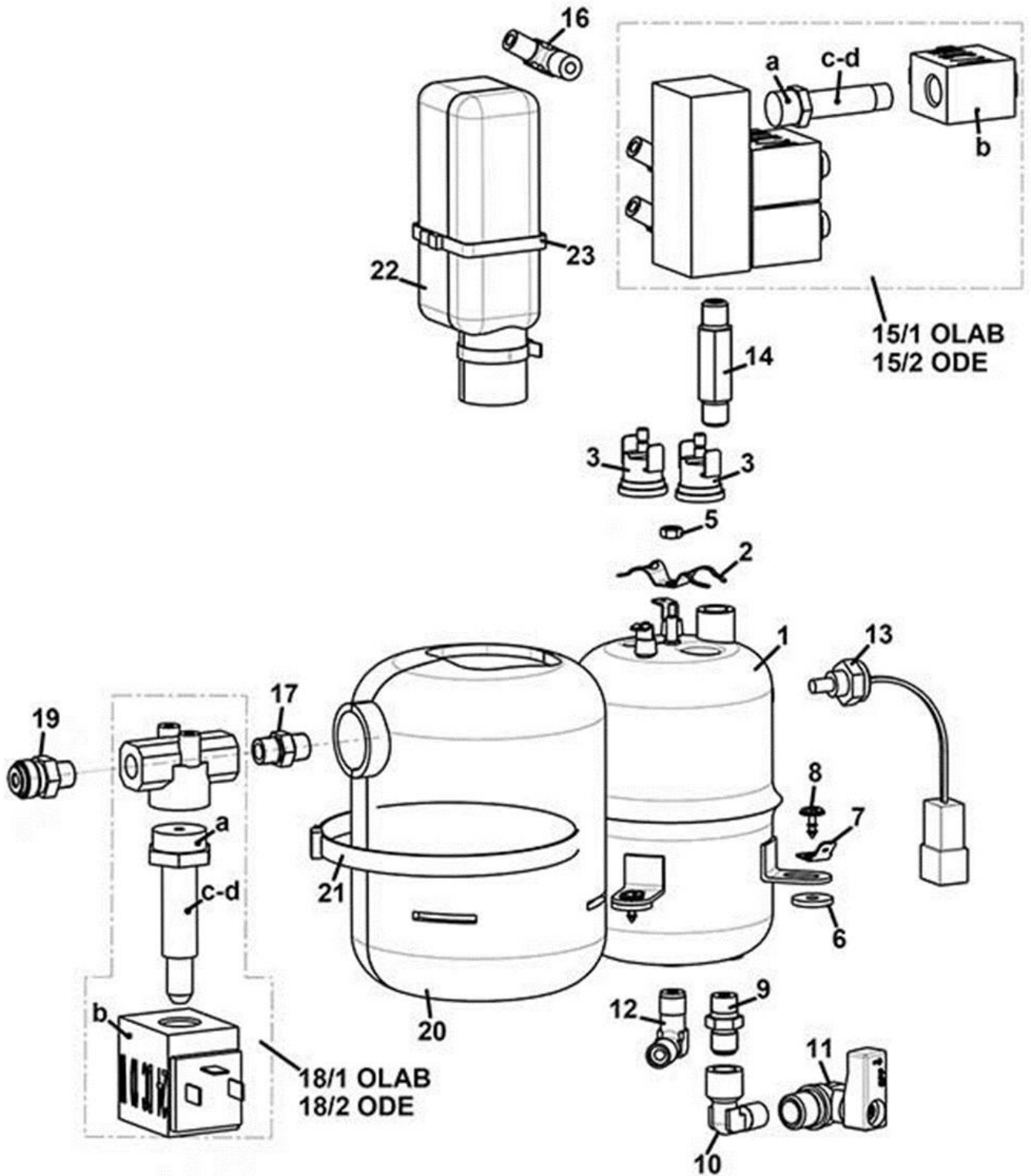
RHEA BL GRANDE E5R2



Press - CTRL + CLICK go to item in a new window

Нажмите - Ctrl + правая кнопка мыши что бы открыть запчасть в новом окне

	7/a	TSIL05/08T-10	SILICON HOSE 5X8 MT.10
	11/a	TSIL05/08T-10	SILICON HOSE 5X8 MT.10
	7/b	TSIL05/08T-50	SILICON HOSE 5X8 MT.50
	11/b	TSIL05/08T-50	SILICON HOSE 5X8 MT.50
	4/a	Z0110004041	PUMP EX5 230V-50HZ
	4/b	Z0110004042	PUMP EX5 220V 50-60HZ FOR VERSION 220V
	1		SEE TABLE ESPRESSO BOILER
	2	Z0600019720NA	INOX BOILER SUPPORT
	3	Z0020018061	SELECTION BUTTON PLUG
	5	ELE0000915	PUMP THERMOPROTECTOR
	6	Z0110004023	CONNECTOR
	8	Z0100003022	T CONNECTOR 461 TS UL
	9	Z0110002012R	§ SAFETY VALVE E:1/8M O:1/8F
	10	Z0110004070	BY PASS VALVE 11 BAR
	12	TTEF04/06T	PTFE PIPE 4X6
	13	Z0110004038	PUMP SUPPORT
	14	1600001098	RUBBER SPACER D. 4,5
	15	VIT0000234	SCREW HEX HEAD M4X12 A2
	16	VIT0003301	WASHER 4,3X12X1,5
	16	Z0100001102	CONNECTOR 1/8"-?7,2 90°
	100	Z0600019761CL1	§INOX BOILER 3+1 VALVE 230V FROM POS.1 TO POS.3



Web	Pos.	Item	Replace by	Description
-----	------	------	------------	-------------

Model Machine

MACREA002

RHEA BL GRANDE E5R2



Press - CTRL + CLICK go to item in a new window

Нажмите - Ctrl + правая кнопка мыши что бы открыть запчасть в новом окне

	18_2/a		COMPONENT NO MORE SOLD
	18_2	Z0110001072	VALVE 3W 1/8 24DC O
	18_1	Z0110001112	VALVE 3W 1/8 24V DC
	15_1	Z0110001117	VALVE BLOCK 3V 2W 24V DC 7W
	15_2	Z0110001117	VALVE BLOCK 3V 2W 24V DC 7W
	18_2/c-d	Z0110010020	§ CORE
	18_2/b	Z0110010065	COIL 8 W 24 DC
	15_2/a	Z0110010123	VALVE 2W SLEEVE
	15_2/c-d	Z0110010124	§ CORE
	15_1/b	Z0110010135	COIL 7W 24V DC
	15_1/c-d	Z0110010136	CORE+SPRING
	15_1/a	Z0110010138	SLEEVE D.13,9+WHITE OR
	18_1/b	Z0110010141	COIL 24V DC
	18_1/a	Z0110010142	SLEEVE
	18_1/c	Z0110010144	CORE+SPRING
	15_2/b	Z0110010145	COIL 6W 24V DC 70%
	18_1/d	Z0110010146	SPRING
	15_1/a	Z0110010148	SLEEVE D.14,9+GREEN OR
	1	Z0600019701CL	§ BOILER 1500 W 230V 400 CC FROM POS.1 TO POS. 5
	2	Z0600019188	THERMOSTAT CLIP
	3	ELE0000982	CLIXSON 127°
	5	VIT0004816	NUT M4
	6	1600001098	RUBBER SPACER D. 4,5
	7	Z0600019012	GROUND WIRING
	8	VIT0002401	SCREW ST HEAD CAP M3.5X9.5
	9	Z0100001017	STRAIGHT CONNECT SO1100-6-1/8
	10	Z0100001085	ELBOW CONNECTOR
	11	Z0600019017	TAP M/F 1/8
	12	Z0100001109	ELBOW CONNECTOR 6-1/8+OR
	13	ELE0000975	PROBE
	14	Z0110001220	STRAIGHT CONNECTOR MM 1/8 GC
	17	Z0100001084	NIPPLE 1/8
	19	Z0100001070	STRAIGHT CONNECTOR 800 4-1/8
	20	Z0600019195	INSULATION SHELL
	21	FASC000214	PLASTIC CLIP BLACK 7,8X365
	22	Z0600019196	EV HOUSING INSULATION
	23	FASC000215	PLASTIC CLIP BLACK 2,6X200

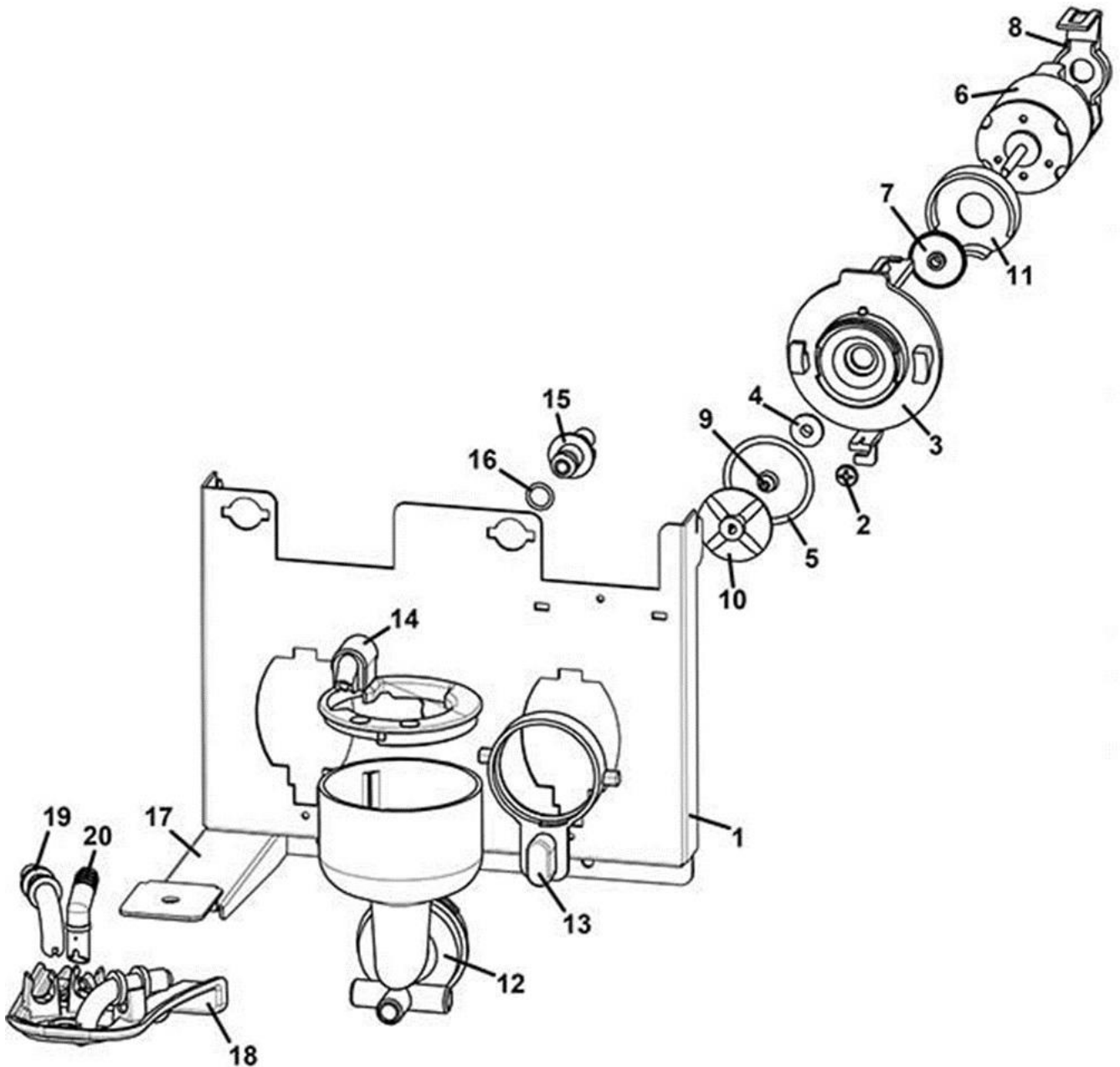
Model Machine

MACREA002

RHEA BL GRANDE E5R2

MACREA002.T.0008

TAVOLA NR. 8 - ARTICOLO RHEA BL GRANDE E5R2



Web	Pos.	Item	Replace by	Description
-----	------	------	------------	-------------

Model Machine

MACREA002

RHEA BL GRANDE E5R2



Press - CTRL + CLICK go to item in a new window

Нажмите - Ctrl + правая кнопка мыши что бы открыть запчасть в новом окне

	12/a	Z0080200110L	MIXING BOWL L.W/H20 BREAKER
	12/b	Z0080200111R	MIXING BOWL R.W/H20 BREAKER
	12/c	Z0080200112C	MIXING BOWL F.W/H20 BREAKER
	1	Z0080200012NA	MIXER PLATE
	2	VIT0002401	SCREW ST HEAD CAP M3.5X9.5
	3	Z0080100005	MOTOR MIXER BASE
	4	Z0080100015	MIXER BUSH
	5	GUA0000084	OR 3131 RED SILICONE A60
	6	Z0090003023	MIXER MOTOR 24V DC SHAFT D.4
	7	Z0080100024	MIXER FAN
	8	Z0080100009IC	MIXER MOTOR SUPPORT RAL2011
	9	Z0080100102	MIXER SHAFT GASKET
	10	Z0080100011	MIXER FAN
	11	Z0080100023IC	MIXER COVER RAL2011
	13	Z0080100006IC	LOCK RING RAL2011
	14	Z0080100080	MIXER RING W/PIPE X2,5 GREY
	15	Z0080100043	MIXER CONNECTOR BLACK
	16	GUA0000085	OR 106 RED SILICONE A70
	17	Z0080200014NA	HOSES SUPPORT
	18	Z0020039552	NOZZLES HOLDER (BLACK)
	19	Z0010020052	PRODUCT NOZZLE
	20	Z0020039533	SPOUT DELIVERY 30° D.6
	100	Z0080100001R	§ MIXER BOWL BASE+MOTOR FROM POS.3 TO POS. 11

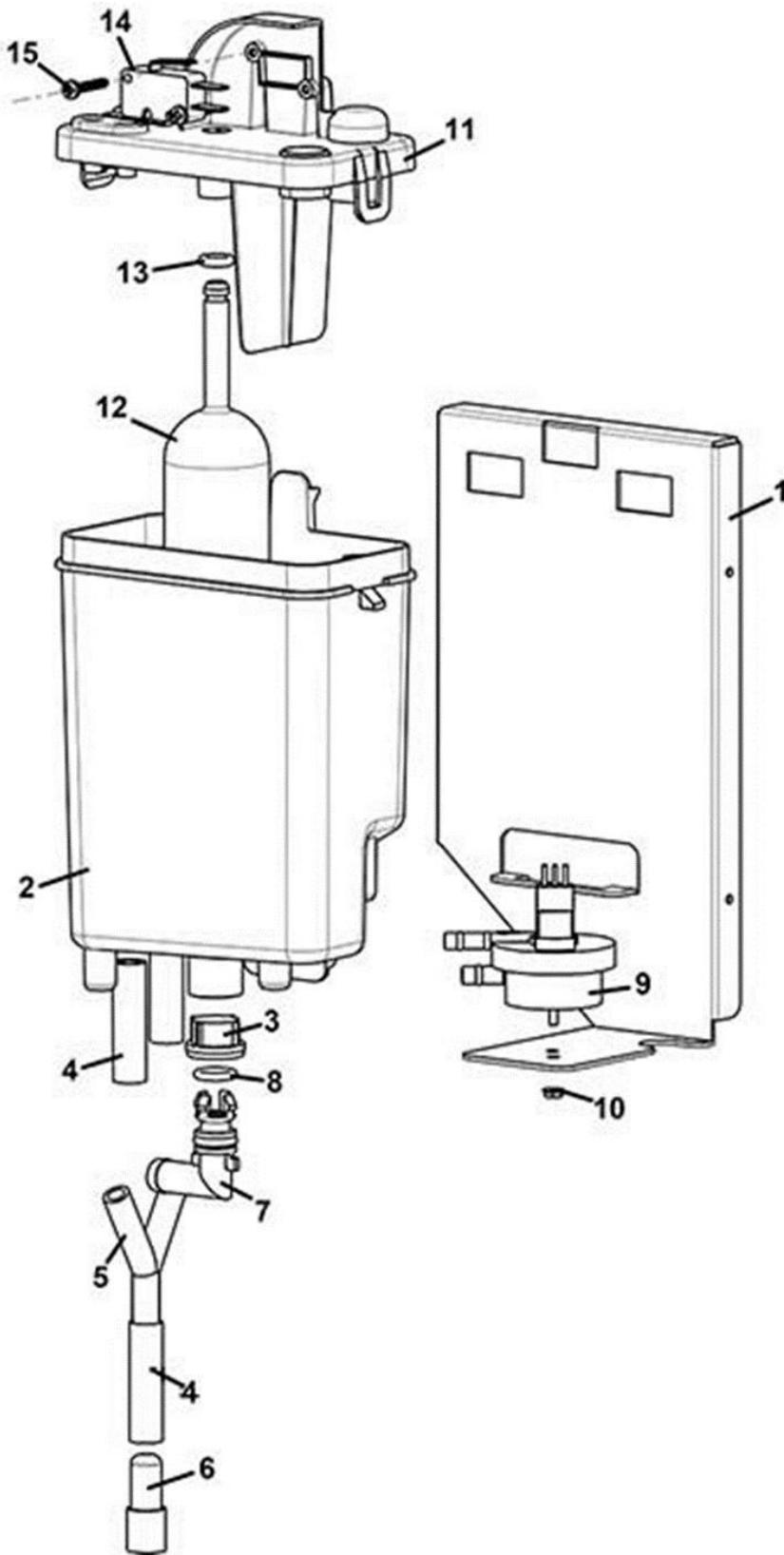
Model Machine

MACREA002

RHEA BL GRANDE E5R2

MACREA002.T.0009

TAVOLA NR. 9 - ARTICOLO RHEA BL GRANDE E5R2



Web	Pos.	Item	Replace by	Description
-----	------	------	------------	-------------

Model Machine

MACREA002

RHEA BL GRANDE E5R2



Press - CTRL + CLICK go to item in a new window

Нажмите - Ctrl + правая кнопка мыши что бы открыть запчасть в новом окне

	4/a	TSIL07/11T-10	SILICON HOSE 7X11 MT.10
	4/b	TSIL07/11T-50	SILICON HOSE 7X11 MT.50
	1/a	Z0010027244-05	AIR BREAK HOLDER BRACKET
	1/b	Z0010028248-06	HYDRAULIC HOLDER
	2	Z0800013041	AIR BREAK TANK
	3	Z0110020007	PLASTIC FILTER DIAM. 20
	5	Z0100001065	CONNECTOR "Y"
	6	650001057	DRAINER PLUG
	7	Z0800009211	ELBOW CONNECTOR
	8	GUA0000043	OR 109 NBR AL 75 BLACK
	9	Z0110007003	VOLUMETRIC COUNTER
	10	VIT0004701	NUT M3
	11	Z0800013043	AIR BREAK COVER
	12	Z0800013046	AIR BREAK WASTE FLOAT
	13	GUA0000082	SILICON GASKET D.6
	14	ELE0001514	MICROSWITCH 3A 125-250VA
	15	VIT0002013	SCREW ST HEAD CAP M2.9X19

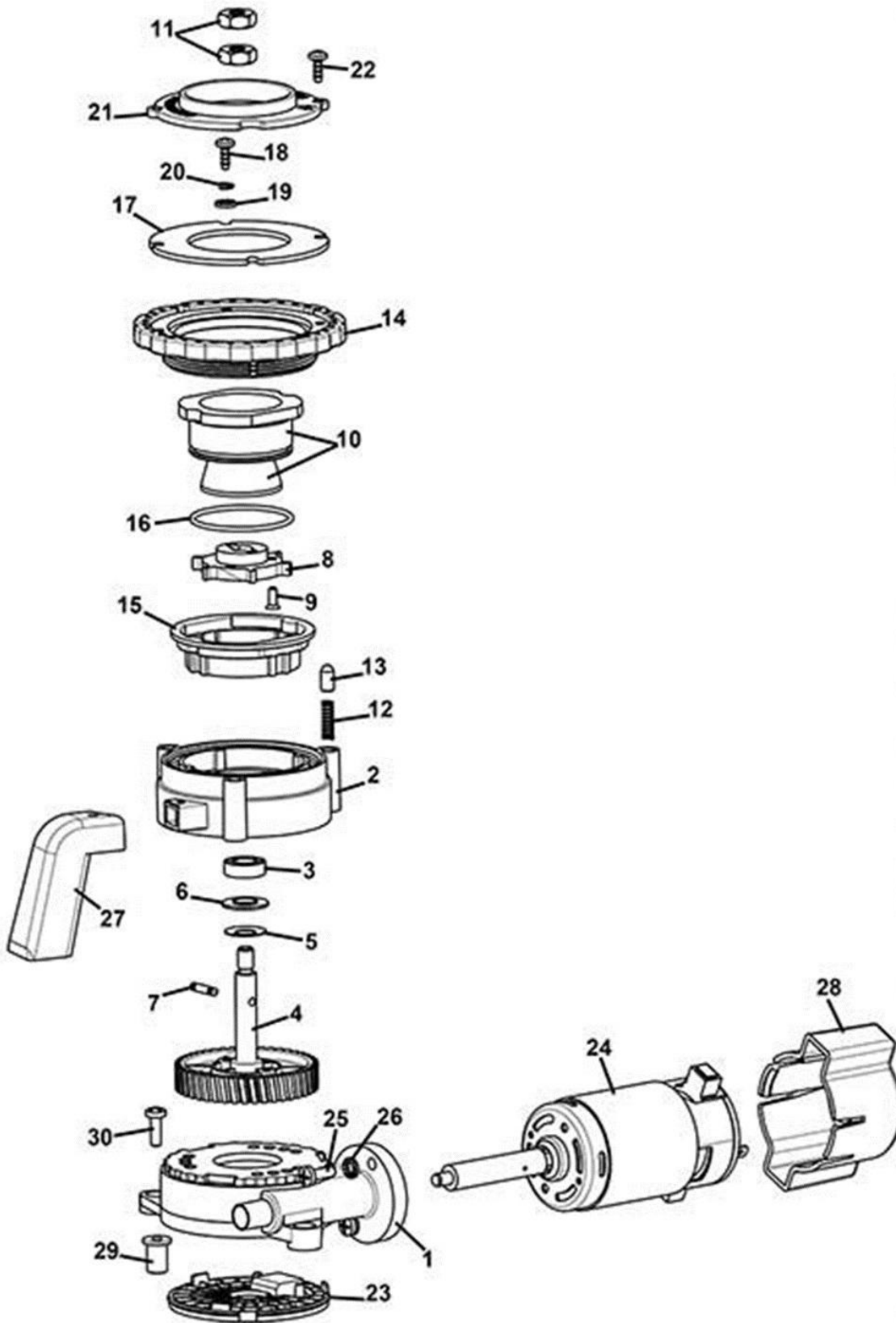
Model Machine

MACREA002

RHEA BL GRANDE E5R2

MACREA002.T.0010

TAVOLA NR. 10 - ARTICOLO RHEA BL GRANDE E5R2



Web	Pos.	Item	Replace by	Description
-----	------	------	------------	-------------

Model Machine

MACREA002

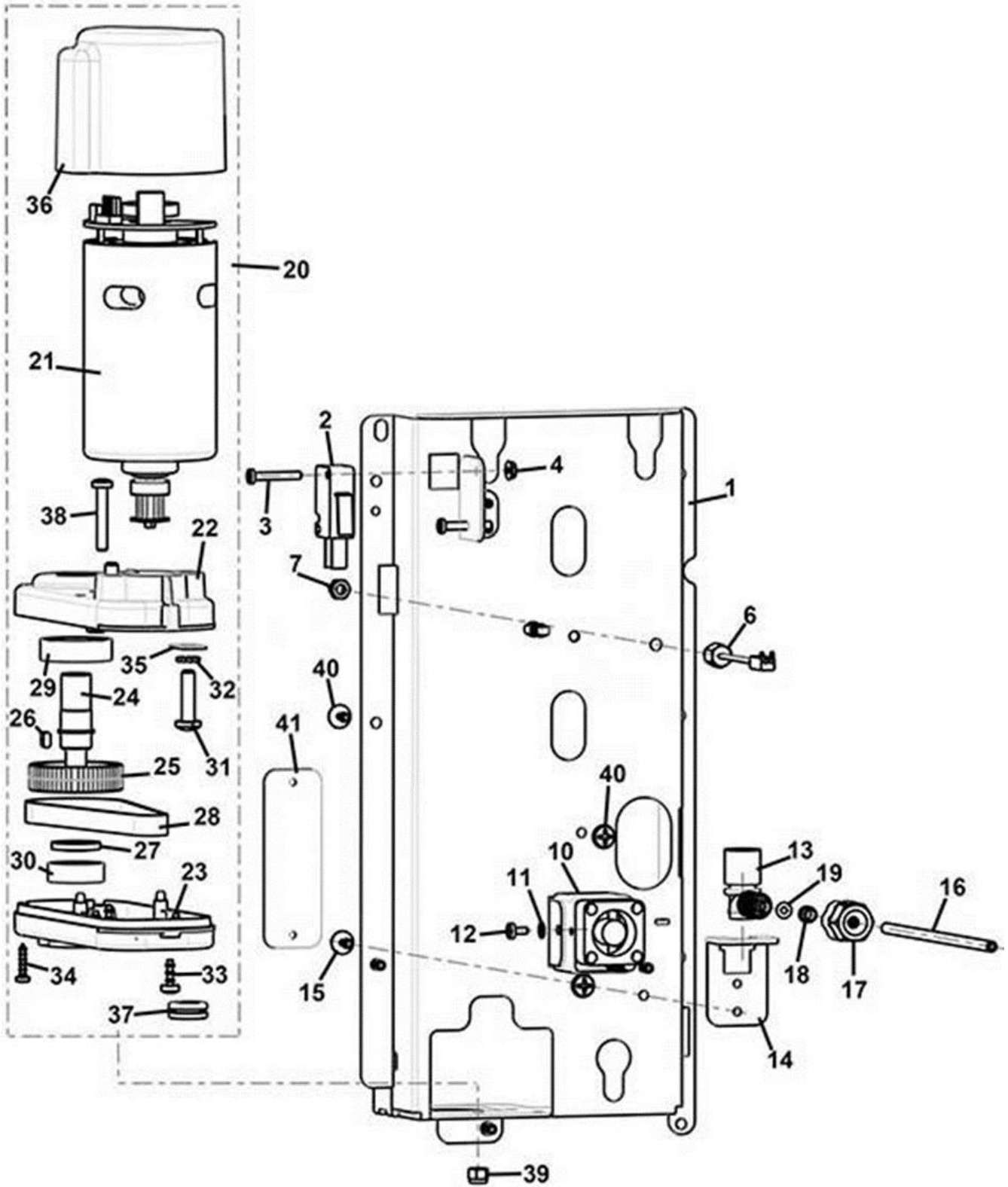
RHEA BL GRANDE E5R2



Press - CTRL + CLICK go to item in a new window

Нажмите - Ctrl + правая кнопка мыши что бы открыть запчасть в новом окне

	1	Z0320001639NAR	§ MOTOR SUPPORT BLACK+PLUG
	2	Z0320001602NAR	GRINDER BLADES SUPPORT
	3	VIT0009325	BEARING
	4	Z0320001608R	§ WHEEL+SHAFT+MAGNETS
	5	Z0320001629	CUP SPRING 16X8,2 SP. 0,4
	6	Z0320001625	BUSH
	7	Z0320001704	GRINDER ROTATION PIN REINFORCE
	8	Z0320001636	EJECTOR
	9	VIT0000121	SCREW COUNT FLAT HEAD M3X8
	10	Z0320001680	CONIC BLADES PLUS
	11	Z0320001642	LOWER GRINDER FIXING NUT
	12	Z0320001643	SPRING D.4X15X0,6
	13	Z0320001624	REGULATION PIN
	14	Z0320001605NAR	§ REGULATION RING NUT BLACK
	15	Z0320001635-03NA	GRINDER SUPPORT BLACK
	16	GUA0000124	SILICONE OR 2137
	17	Z0320001622	UPPER GRINDER FIXING
	18	VIT0002010	SCREW ST HEAD CAP M3.5X9.5
	19	Z0320001666	SPACER D.4X7X2
	20	VIT0003103	SPRING WASHER 4,3
	21	Z0320001607NA	DUCT BLACK
	22	VIT0002010	SCREW ST HEAD CAP M3.5X9.5
	23	Z0320001604NA	PLUG BLACK
	24	Z0090003047	GRINDER MOTOR 230V DC
	25	VIT0000013	SCREW HEAD TAP CAP M4X12
	26	VIT0003103	SPRING WASHER 4,3
	27	Z0320004736-04	GRINDER CHUTE R.2011
	28	Z0320001615NA	GRINDER SENSOR COVER BLACK
	29	Z0320001628	NO-VIBRATION BUSH
	30	VIT0000012	SCREW HEAD TAP CAP M4X10
	100	Z0320001601CL3AL	§GRINDER VRFX 15° BREWER PLUS FROM POS.1 TO POS. 28
	101	Z0320001601CL3CAL	§GRINDER VRFX 15° PREGR.PLUS



Web	Pos.	Item	Replace by	Description
-----	------	------	------------	-------------

Model Machine

MACREA002

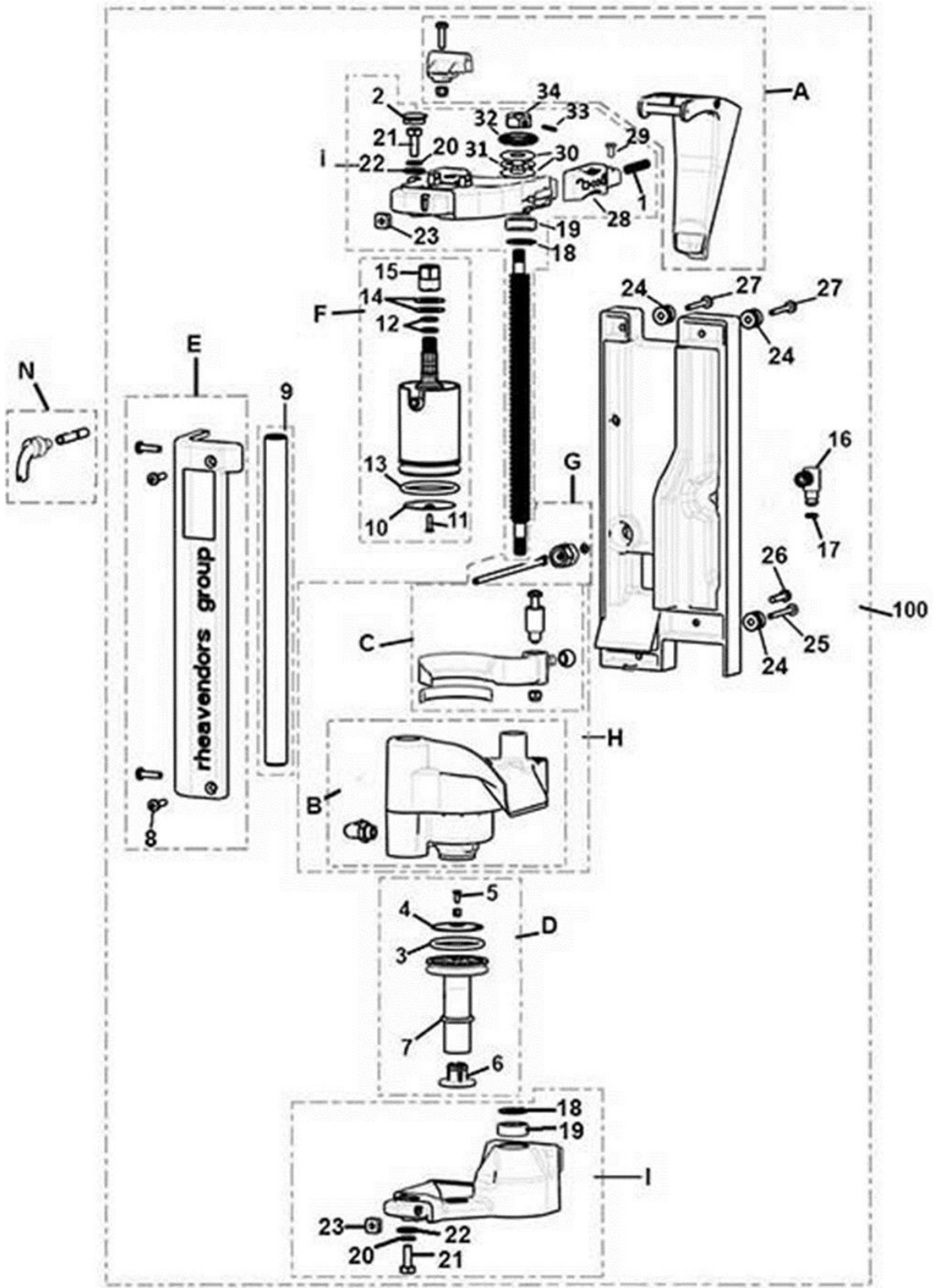
RHEA BL GRANDE E5R2



Press - CTRL + CLICK go to item in a new window

Нажмите - Ctrl + правая кнопка мыши что бы открыть запчасть в новом окне

	25/b		FOR MACHINE BUILT BEFORE SERIAL N. 20154599999 PLS ORDER MOTOR Z0090002250R
	28/b		FOR MACHINE BUILT BEFORE SERIAL N. 20154599999 PLS ORDER MOTOR Z0090002250R
	25/a	Z0090002255AN	PULLEY NEW VERSION FROM SERIAL 20154600000
	28/a	Z0090002258	BELT NEW VERSION FROM SERIAL 20154600000
	1	Z0260014002	VARIFLEX BREWER SUPPORT
	2	ELE0001522	MICROSWITCH
	3	VIT0000006	SCREW HEAD TAP CAP M3X16
	4	VIT0004701	NUT M3
	6	ELE0000931	PROBE NTC 10K/TE
	7	VIT0004816	NUT M4
	10	ELE0000467-02	FAN HEATER 24V DC + BOARD
	11	VIT0003102	SPRING WASHER 3,2
	12	VIT0000002	SCREW HEAD TAP CAP M3X6
	13	Z0250014084-02	FEMALE CONNECTOR
	14	Z0260014009-01	H2O CONNECTOR SUPPORT
	15	VIT0002009	SCREW ST HEAD CAP M3.5X6.5
	16	TTEF02/04T	PTFE PIPE 2X4
	17	Z0250014086	NUT
	18	Z0100002014	LOCKING RING SO1-4
	19	GUA0000061	OR 2010 VITON 80 BLACK
	20	Z0090002250R	§ VARIFLEX BREW. GEARBOX MOTOR FROM POS. 21 TO POS. 37 (NEW VERSION COMPONENTS)
	21	Z0090002252-01	§ MOTOR 24V DC NEW VERSION
	22	Z0090002222NA	MOTOR UPPER CASE RAL9005 NEW VERSION
	23	Z0090002223NA	MOTOR LOWER CASE RAL9005 NEW VERSION
	24	Z0090002224	FEMALE CONNECTOR SHAFT
	26	VIT0006703	CLAMP
	27	Z0090002226	SPACER
	29	VIT0009324	BEARING
	30	VIT0009320	BEARING
	31	VIT0000017	SCREW HEAD TAP CAP M5X20
	32	VIT0003104	SPRING WASHER 5,3
	33	VIT0002469	SCREW HEAD TAP M3.5X10
	34	VIT0002014	SCREW ST HEAD CAP M2.9X13
	35	Z0090002240	MOTOR SPACER
	36	Z0090002235CK	MR GV BOARD COVER R.7037
	37	GUA0010501	ELECTRICAL GROMMET DG 7,5
	38	VIT0000015	SCREW HEAD TAP CAP M4X25
	39	VIT0004815	NUT M4
	40	VIT0002401	SCREW ST HEAD CAP M3.5X9.5
	41		PARTS NO MORE AVAILABLE
	100	Z0250014086R	§ WATER INLET TUBE FROM POS. 16 TO POS. 19
	101	Z0090002224R	§ FEMALE CONNECTOR SHAFT FROM POS.24 TO POS.30 EXCLUDED POS.28



Web	Pos.	Item	Replace by	Description
-----	------	------	------------	-------------

Model Machine

MACREA002

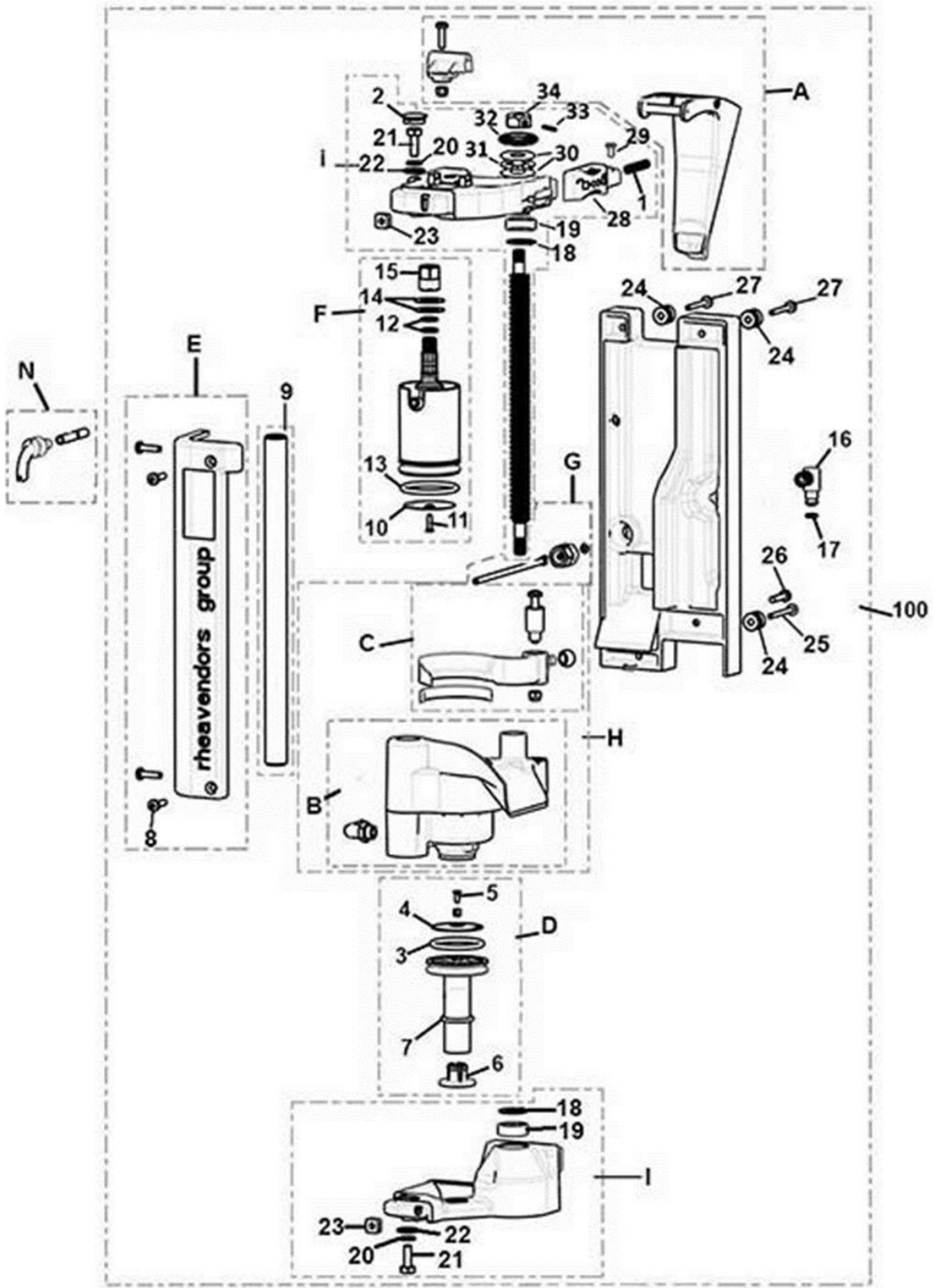
RHEA BL GRANDE E5R2



Press - CTRL + CLICK go to item in a new window

Нажмите - Ctrl + правая кнопка мыши что бы открыть запчасть в новом окне

	N	Z0020039539R	§ SPOUT DELIVERY D.4
	I	Z0250014005R2	§UPPER SUPPORT WITHOUT CHUTE
	A	Z0250014008R	§ CHUTE D. 45
	L	Z0250014012R	§ LOWER SUPPORT
	E	Z0250014019R	§ FRONTAL COVER
	H	Z0250014020R	§ INFUSION CHAMBER D.45
	B	Z0250014022R	§ INFUSION CHAMBER D.45 INCLUDED INTERNAL COMPONENTS AND ELBOW
	C	Z0250014024R	§ BRUSH D.45
	D	Z0250014028R	§ LOWER FILTER HOLDER D.45
	F	Z0250014045R	§ UPPER FILTER HOLDER D.45
	G	Z0250014086R	§ WATER INLET TUBE
	1	Z0250014081	SPRING
	2	GUA0011022	PLUG
	3	GUA0000097	OR 4131 RED SILICONE LSR70
	4	Z0250014029	COFFEE FILTER DIAM. 37.3
	5	VIT0000121	SCREW COUNT FLAT HEAD M3X8
	6	Z0250014027R1	LOWER PISTON LOCK+SET SCREW
	7	GUA0000103	OR 3075 SILICON
	8	VIT0001009	SCREW HEAD TAP CAP M4X16
	9	Z0250014013-04	CYLINDRICAL GUIDE
	9	Z0250014013-04	CYLINDRICAL GUIDE
	10	Z0250008211	COFFEE FILTER D 37.3
	11	VIT0000129	SCREW COUNT HEAD M3X12
	12	GUA0000045	OR 108 VITON 80 BLACK
	13	GUA0000067	OR 4143 RED SILICONE LSR70
	14	Z0250014048	SPRING
	15	Z0250014086	NUT
	16	Z0250014085	MALE CONNECTOR
	17	GUA0000004	OR 104 NBR AL 75 BLACK
	18	Z0250014077	SPACER
	19	VIT00009320	BEARING
	20	VIT0003113	SPRING WASHER 6,4
	21	VIT0000249	SCREW HEX HEAD M6X16
	22	Z0250014079	WASHER D.15 D.6,5 SP.1,5
	23	VIT0009112	NUT M4
	24	Z0250014072	PIN
	25	VIT0000033	SCREW HEAD TAP CAP M4X35
	26	VIT0001011	SCREW HEAD TAP CAP M4X20
	27	VIT0001006	SCREW HEAD TAP CAP M4X30
	28	Z0250014082	BREWER STOPPER BUTTON
	29	VIT0002009	SCREW ST HEAD CAP M3.5X6.5
	30	VIT0009318	SPACER WASHER
	31	VIT0009317	BEARING
	32	GUA0001007	V RING GASKET VA16
	33	VIT0007011	SET SCREW 4X4
	34	Z0250014071	NUT M8
	100	Z0250014000CL	COFFEE BREWER VARIFLEX D 45



Web	Pos.	Item	Replace by	Description
-----	------	------	------------	-------------

Model Machine

MACREA002

RHEA BL GRANDE E5R2



Press - CTRL + CLICK go to item in a new window

Нажмите - Ctrl + правая кнопка мыши что бы открыть запчасть в новом окне

	N	Z0020039539R	§ SPOUT DELIVERY D.4
	I	Z0250014005R2	§UPPER SUPPORT WITHOUT CHUTE
	L	Z0250014012R	§ LOWER SUPPORT
	E	Z0250014019R	§ FRONTAL COVER
	H	Z0250014030R	§ CHAMBER D.36
	B	Z0250014032R	§ INFUSION CHAMBER D.36 INCLUDED INTERNAL COMPONENTS AND ELBOW
	A	Z0250014033R	§ CHUTE D. 36
	C	Z0250014034R	§ BRUSH D.36
	D	Z0250014038R	§ LOWER FILTER HOLDER D.36
	F	Z0250014040R	§ UPPER FILTER HOLDER D.36
	G	Z0250014086R	§ WATER INLET TUBE
	1	Z0250014081	SPRING
	2	GUA0011022	PLUG
	3	GUA0000080	OR 4112 RED SILICONE LSR70
	4	Z0250008019	COFFEE FILTER
	5	VIT0000121	SCREW COUNT FLAT HEAD M3X8
	6	Z0250014027R1	LOWER PISTON LOCK+SET SCREW
	7	GUA0000103	OR 3075 SILICON
	8	VIT0001009	SCREW HEAD TAP CAP M4X16
	10	Z0250008099	COFFEE FILTER
	11	VIT0000129	SCREW COUNT HEAD M3X12
	12	GUA0000045	OR 108 VITON 80 BLACK
	13	GUA0000080	OR 4112 RED SILICONE LSR70
	14	Z0250014048	SPRING
	15	Z0250014086	NUT
	16	Z0250014085	MALE CONNECTOR
	17	GUA0000004	OR 104 NBR AL 75 BLACK
	18	Z0250014077	SPACER
	19	VIT0009320	BEARING
	20	VIT0003113	SPRING WASHER 6,4
	21	VIT0000249	SCREW HEX HEAD M6X16
	22	Z0250014079	WASHER D.15 D.6,5 SP.1,5
	23	VIT0009112	NUT M4
	24	Z0250014072	PIN
	25	VIT0000033	SCREW HEAD TAP CAP M4X35
	26	VIT0001011	SCREW HEAD TAP CAP M4X20
	27	VIT0001006	SCREW HEAD TAP CAP M4X30
	28	Z0250014082	BREWER STOPPER BUTTON
	29	VIT0002009	SCREW ST HEAD CAP M3.5X6.5
	30	VIT0009318	SPACER WASHER
	31	VIT0009317	BEARING
	32	GUA0001007	V RING GASKET VA16
	33	VIT0007011	SET SCREW 4X4
	34	Z0250014071	NUT M8
	100	Z0250014060CL	§ COFFEE BREWER VARIFLEX D.36

Model Machine

MACREA002

RHEA BL GRANDE E5R2



Press - CTRL + CLICK go to item in a new window

Нажмите - Ctrl + правая кнопка мыши что бы открыть запчасть в новом окне

	5/b	Z0230030013	SPIRAL 9
	5/a	Z0230030014	SPIRAL 18
	15/b	Z0230030043R	§ INGREDIENT CHUTE-LEFT RED
	14/b	Z0230030044R	§ INGREDIENT CHUTE-RIGHT RED
	15/a	Z0230030057R	§ INGREDIENT CHUTE-LEFT ORANGE
	14/a	Z0230030058R	§ INGRED. CHUTE-RIGHT ORANGE
	10/b	Z0230030062	AGITATOR 112 - LEFT OUTLET
	10/a	Z0230030064	AGITATOR 112 - RIGHT OUTLET
	1	Z0230030500	INGREDIENT CANISTER 54 190
	2	Z0230030236AB	§ WHEEL MM54
	3	Z0230030012	SPIRAL PIN
	4	GUA0000083	OR 123 RED SILICONE A70
	6	VIT0005106	PIN 2X14
	7	Z0230030011	REAR BUSH
	8	Z0230030520	INGREDIENT CANISTER 110-190
	9	Z0230030237AB	§ WHEEL MM110
	11	VIT0003210	WASHER 8,4X16X1,6
	12	Z0230030156	CANISTER 54 LID
	13	Z0230030158	CANISTER 110 LID
	16	Z0230030059R	§ INGRED. CHUTE-FRONTALORANGE
	17	Z0230030060-05	PRODUCT AGITATOR
	18	Z0230030239	WHEEL PIN FORK
	19	Z0230030238-02	WHEEL PIN
	100	Z0230030522R	§ CAN. 110-190 AGIT.18 W/LID-R
	101	Z0230030525R	§ CAN. 110-190 AGIT.18 W/LID-L
	102	Z0230030506R	§ CANIS. 54-190 WHEEL18 W/LID
	103	Z0230030502R	§ CANIS. 54-190 WHEEL9 W/LID

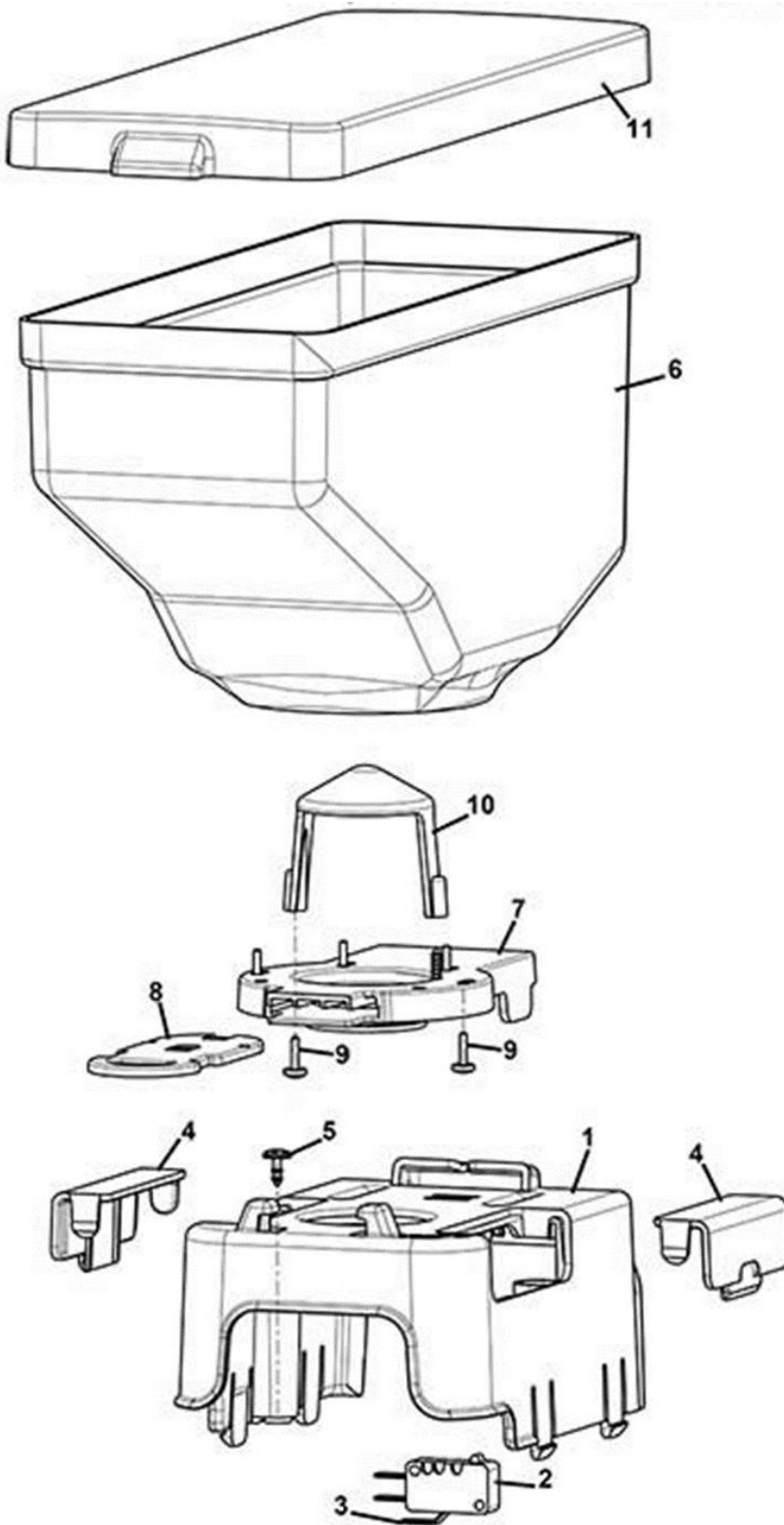
Model Machine

MACREA002

RHEA BL GRANDE E5R2

MACREA002.T.0015

TAVOLA NR. 15 - ARTICOLO RHEA BL GRANDE E5R2



Web	Pos.	Item	Replace by	Description
-----	------	------	------------	-------------

Model Machine

MACREA002

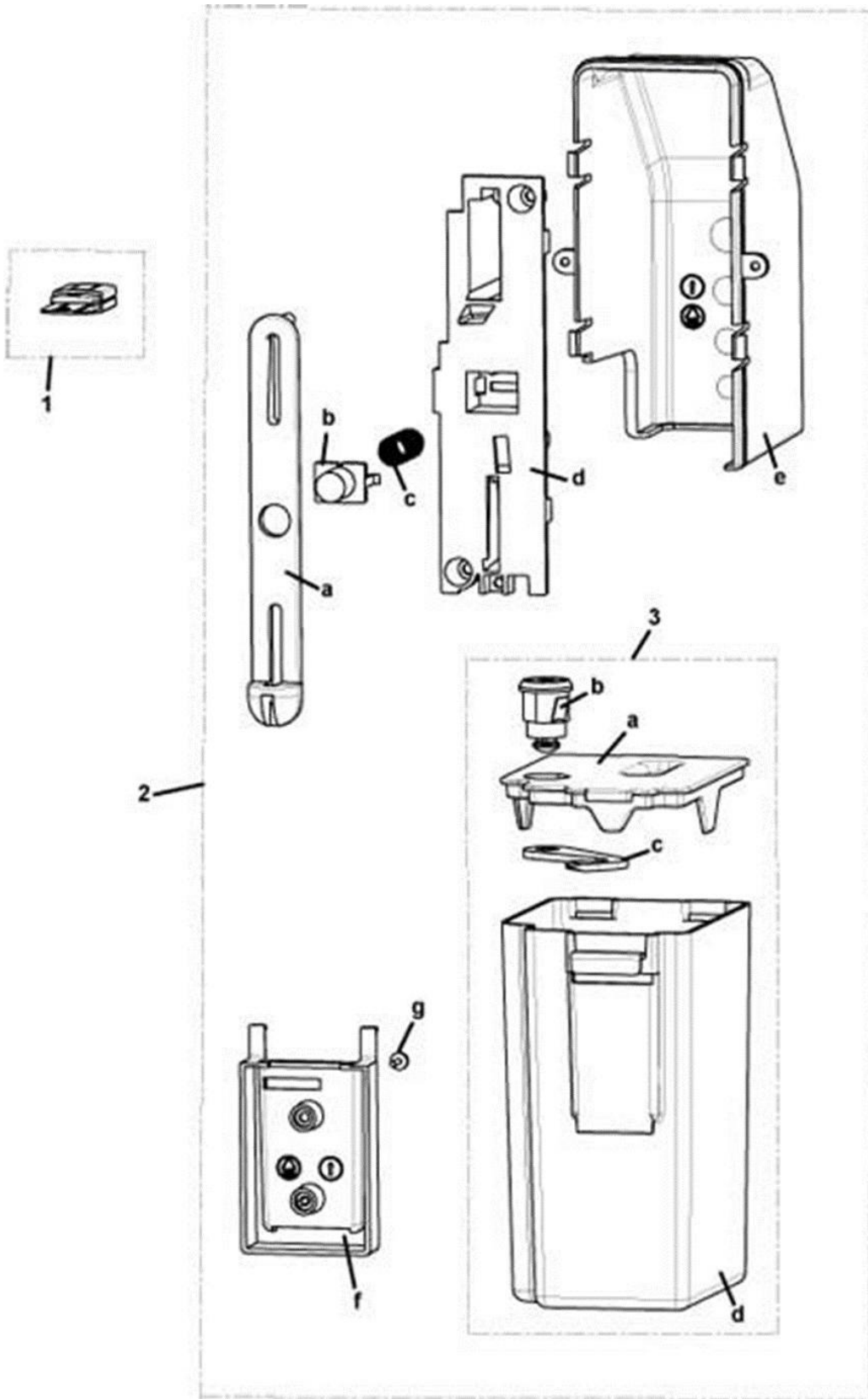
RHEA BL GRANDE E5R2



Press - CTRL + CLICK go to item in a new window

Нажмите - Ctrl + правая кнопка мыши что бы открыть запчасть в новом окне

	1	Z0230015738-03	GRINDER COVER
	2	ELE0001522CL	§ MICROSWITCH + LEVER + FASTON
	3	ELE0001911	MICROSWITCH LEVER
	4	Z0230015229-02	REGULATION COVER
	5	VIT0002401	SCREW ST HEAD CAP M3.5X9.5
	6	Z0230015158	COFFEE BEANS HOPPER
	7	Z0230015231-02	COFFEE BEANS HOPPER ADAPTOR
	8	Z0230015224IC	COFFEE BEANS HOPPER STOPPER
	9	VIT0002114	SCREW COUNT FLAT HEAD M3.5X16
	10	Z0230015227TR	GRINDER COVER
	11	Z0230015159	COFFEE BEANS HOPPER LID
	100	Z0230015232CL4	§ COFFEE BEANS HOPPER FROM POS.6 TO POS.11



Web	Pos.	Item	Replace by	Description
-----	------	------	------------	-------------

Model Machine

MACREA002

RHEA BL GRANDE E5R2



Press - CTRL + CLICK go to item in a new window

Нажмите - Ctrl + правая кнопка мыши что бы открыть запчасть в новом окне

	2_1	D2109600A0000	KIT W/FIT W/O MECH RAL9005
	2_2	D2109600A1000	KIT W/FIT W/O MECH RAL9006
	3/b	SER0000015	LOCK MM20 C.3430
	2/g	VIT0002469	SCREW HEAD TAP M3.5X10
	2_2/a	Z0020035031CM	COIN ENTRY PLATE RAL9006
	2_1/a	Z0020035031NA	COIN ENTRY PLATE BLACK
	2/d	Z0020035032NA	PAYM SYSTEM SUPPORT
	2/b	Z0020035033CM	COIN RETURN BUTTON RAL9006
	2/c	Z0020035034	COIN RETURN BUTTON SPRING
	3/c	Z0020037128	COIN BOX HOOK
	2/e	Z0020039510NA	PAY. SYSTEM COVER BLACK
	3/d	Z0020039526NA	COIN BOX RAL 9005
	3/a	Z0020039527NA	COINS BOX LID BLACK
	2/f	Z0020039528NA	COIN BOX SUPPORT
	1	Z0020040310CL/1	RHEA FLASH MEMORY
	3	Z0020039525R	§ COIN BOX